

SIMPLY THE BEST
SOLUTIONS

HVAC
SYSTEMS

TETA & TEDA

Unit Heaters



CE TSEK

TEKNOGEN®

Content

General Features	3
Technical Specifications	3
Components	4
Mounting & Maintenance	5
Electrical Connection Diagram.....	5
Dimensions	6

Teknogen

As one of the leading manufacturers of Heating, Ventilation and Air Conditioning market, **TEKNOGEN HVAC** stands for innovation, top quality, leading technology and reliable service. That's why our motto is **"SIMPLY THE BEST SOLUTIONS"**.

One of the core issues for production is quality and high-end components for reaching top quality units. All internal processes are being regulated by **ISO9001** quality management system.

We combine the demands from the market with the new trends for energy savings and environmental needs. This combination leads us to create new designs with innovated ideas. This approach makes us have loyal customers worldwide.

TEKNOGEN has a large range for Air handling Units, Fancoils, Heat Recovery Ventilators, Swimming Pool Air Handling Units, Chillers, Rooftop Units, Floor Convectors, Unit Heaters. Our headquarters located in Istanbul and the factory is in Izmir.

If you are looking for high quality production and a solution partner, we Teknogen ready.



General Features

TEKNOGEN Axial type (TETA) and Radial type (TEDA) unit heaters are being produced in 16 different models with heating capacities between 4000kcal/h and 40000kcal/h. Whereas Axial type fans are being used in TETA units, plug fans with high efficiency are being used in TEDA units to achieve better air flow and optimum air spread. The heating coils, which are made of copper pipe and aluminium wings, have high efficiency level and low pressure drop.

TETA and TEDA units, are produced with shutters. Shutter wings can be adjustable according to required air direction.

Technical Specifications

Model	Air volume	Heating performance (90/70°C)		Waterside Pressure Drop	Connection diameter		Electrical Power	Current
		Capacity	Blowing Temperature					
		m ³ /h	kcal/h		°C	kPa		

TETA UNIT HEATERS WITH AXIAL FAN

TETA	4	900	4190	34	3	1/2	21,3	100	0,4
	6	1060	5784	36.5	5.34	1/2	21,3	100	0,4
	8	1400	9129	40.5	21.5	1/2	21,3	100	0,4
	10	1600	11070	41.5	31.8	1/2	21,3	130	0,5
	12	1725	12760	45.5	37	1/2	21,3	130	0,5
	16	1800	17620	49.5	32.4	1/2	21,3	130	0,5
	20	1900	20551	55	66.8	1/2	21,3	130	0,5
	24	2450	25778	54	30.6	1/2	21,3	170	0,7

TEDA UNIT HEATERS WITH RADIAL FAN

TEDA	6	1350	7020	36	8,11	1/2	21,3	198,7	0,869
	10	1550	10243	41	16,85	1/2	21,3	209,8	0,93
	12	1750	14307	46	30,46	1/2	21,3	261,8	1,18
	16	2500	16900	39	13,42	1/2	21,3	224,7	1,05
	20	2800	20197	43	17,61	1/2	21,3	367,7	1,75
	24	3300	24093	43	25,32	3/4	26,9	485,3	2,44
	32	3500	33787	51	32,7	3/4	26,9	477,9	2,41
	40	3800	43126	57	39,27	3/4	26,9	717,4	3,12

* Sound level has been measured 4m away from the unit.

Components

Body

The casing of the unit consists of high resistant steel. Both surface of the sheet metals are painted in RAL 9002. The service cover provides an easy service to all components.

Fans

Axial type fans are being used in TETA units. Teda units have back curved high efficient fans from Ebm-Papst .

The statically and dynamically balanced fans operate with low vibration and low noise levels.



Coil

Heating Coils made up of copper pipes and aluminium wings are used in TETA and units. Coils have high efficiency and low pressure drop while their performance are certified by Eurovent.



Anemostate

Adjustable type anemostates are being used on TETA and TEDA units for better air flow and optimum air spread.



Filter [OPTIONAL]

- G4 class according to EN779.
- Cleanable
- Perfect dust keeping capacity
- Usage of corrugated and non-flammable fabric to reduce pressure drop
- Non-woven ,dry and wide surfaces for a low pressure drop.



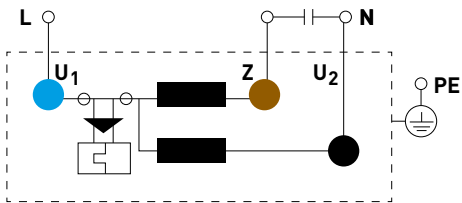
Mounting and Maintenance

TETA and TEDA units are being designed in accordance with pipe couplings which assure easy assembling for unit heater coils. Pipe coupling connection is done over the unit and it has air purges to drain air reducing system efficiency.

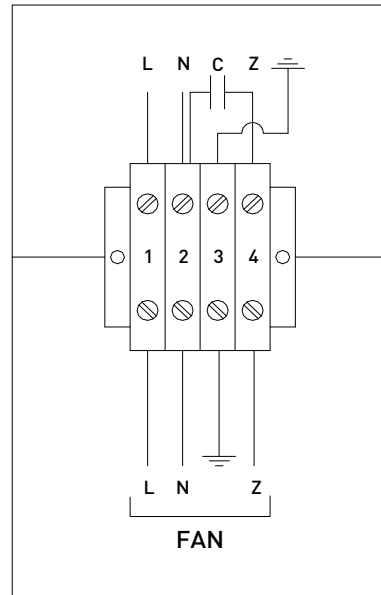
The service cover on the units provides the easy service and maintenance of the fans of TETA and TEDA units. The electrical connection of the units have been simplified and connections have been ensured through IP 54 protection class electrical boards.

Electrical Connection Diagram

Single phase AC motor with capacitor

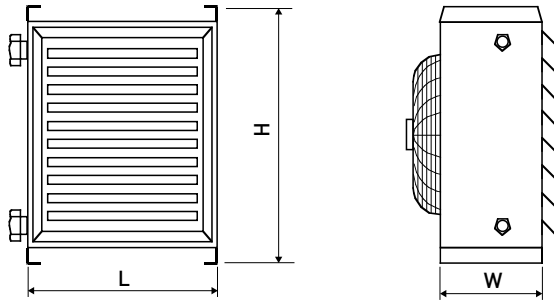


TEDA and TETA Electric Connection Diagram

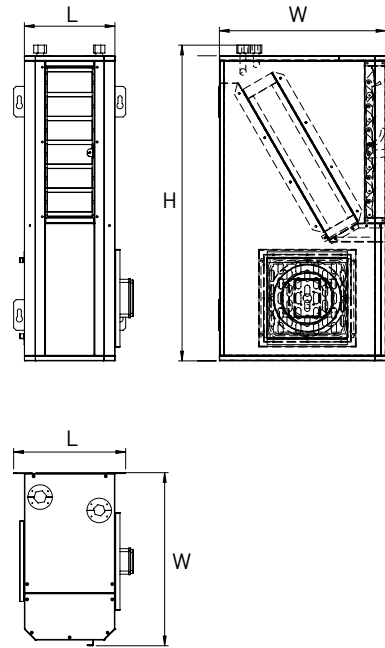


Dimensions

TETA AXIAL UNIT HEATER

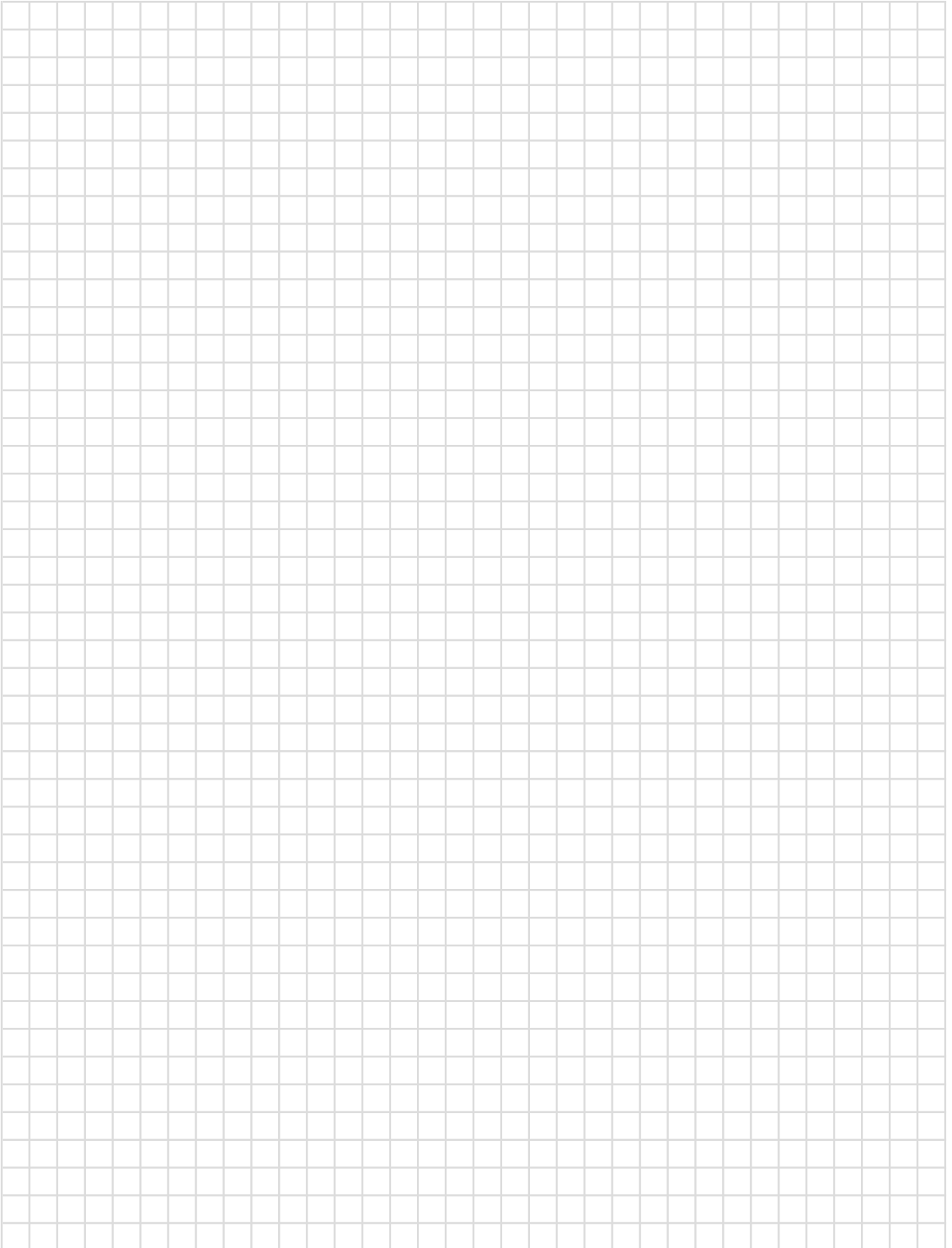


TEDA RADIAL UNIT HEATER



Model		Dimenisons			Weight
		mm			
		W	L	H	kg
TETA	4	290	410	500	15
	6	290	410	500	17
	8	290	410	500	20
	10	290	410	500	22
	12	290	410	500	24
	16	290	450	600	29
	20	290	485	600	30
	24	290	485	650	32

Model		Dimenisons			Weight
		mm			
		W	L	H	kg
TEDA	6	476	230	940	31
	10	502	230	1115	31
	12	502	230	1115	31
	16	552	331	1200	41
	20	552	331	1200	41
	24	580	331	1250	44
	32	580	382	1250	46
	40	612	382	1262	46



SIMPLY THE BEST
SOLUTIONS

HVAC
SYSTEMS

APRIL 2016
BY HVAC SYSTEMS INC.
RESERVES THE RIGHT TO MAKE ALTERATIONS
DUE TO TECHNICAL DEVELOPMENTS WITHOUT PRIOR NOTICE.



TEKNOGEN®

HEADQUARTERS

BY ISITMA SOGUTMA KLIMA HAVALANDIRMA SAN TIC. A.S.
ATATURK MAH. DUDULLU CAD. SEREF SOKAK. NO 46 34758 ATASEHIR - ISTANBUL / TURKEY
TEL + 90 216 324 51 59 • FAX + 90 216 324 99 32
info@TEKNOGENHVAC.COM • WWW.TEKNOGENHVAC.COM

FACTORY

KAZIM KARABEKIR MAHALLESİ BEKİR SAYDAM CAD.
NO:104 IS KAPI NO: 25 PANCAR, AYRANCILAR, TORBALI - IZMIR / TURKEY
TEL + 90 232 864 11 11 • FAX + 90 232 864 10 11