

SIMPLY THE BEST
SOLUTIONS

HVAC
SYSTEMS

TECO

Standard Aspirator



TEKNOGEN®

İçindekiler

TECO	3
Technical Specifications	4
Dimensions	4
Components	5

Teknogen

As one of the leading manufacturers of Heating, Ventilation and Air Conditioning market, **TEKNOGEN HVAC** stands for innovation, top quality, leading technology and reliable service. That's why our motto is **"SIMPLY THE BEST SOLUTIONS"**.

One of the core issues for production is quality and high-end components for reaching top quality units. All internal processes are being regulated by **ISO9001** quality management system.

We combine the demands from the market with the new trends for energy savings and environmental needs. This combination leads us to create new designs with innovated ideas. This approach makes us have loyal customers worldwide.

TEKNOGEN has a large range for Air handling Units, Fancoils, Heat Recovery Ventilators, Swimming Pool Air Handling Units, Chillers, Rooftop Units, Floor Convectors, Unit Heaters. Our headquarters located in Istanbul and the factory is in Izmir.

If you are looking for high quality production and a solution partner, we Teknogen ready.



TECO

TEKNOGEN TECO aspirators are manufactured for environments to fulfil need of ventilation. TECO aspirators are available for nominal air flow between 2500 m³/h to 10000 m³/h in 5 different models. They are easy to install and operate.

General features;

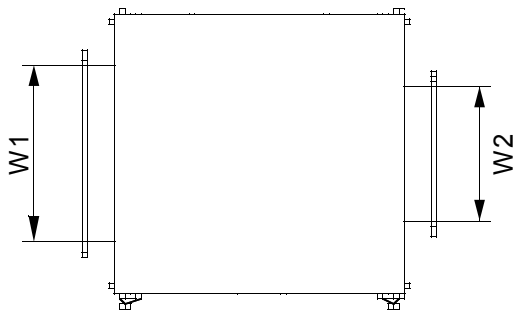
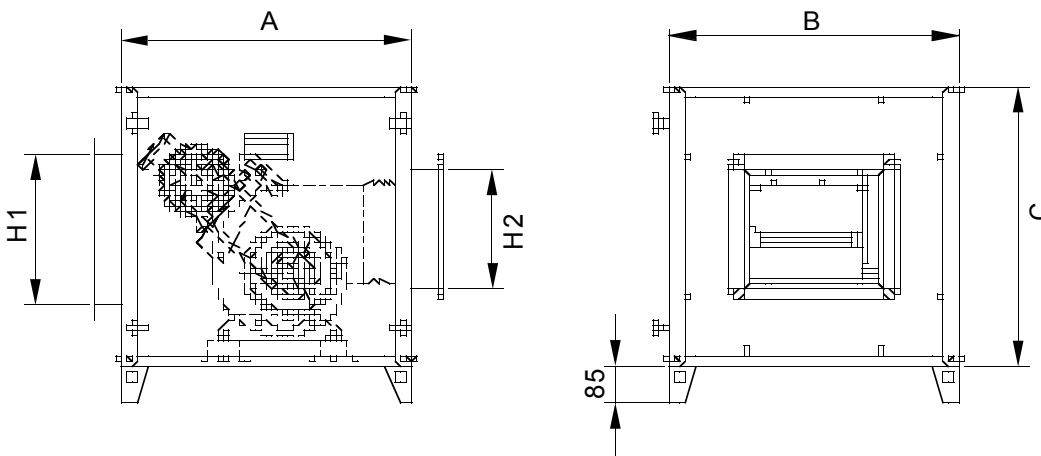
- TECO has low noise values due to its unique aluminium internal surface isolation.
- TECO occupies very small place due to its compact and least dimensions.
- Easy to install.
- Vibration isolation is provided on body by using flexible connection on fan's panel joint.
- It is suitable for indoor and outdoor usage.
- Vibration isolators are used as standart under motor and fan base.
- Quick delivery from stock.



Technical Specifications

Model	Air Flow	External Static Pressure	Total Pressure	Motor Capacity - rpm	
	m ³ /h	Pa	Pa	kW - d/d	
TECO	I	2500	270	400	0,75 - 1500
	II	3500	400	500	1,1 - 1500
	III	5000	320	450	1.5 - 1500
	IV	7500	300	450	2.2 - 1500
	V	10000	400	530	3 - 1500
	VI	12500	365	534	4 - 1500
	VII	15000	300	453	4 - 1500

Dimensions



Model	Dimensions						
	A	B	C	W1xH1	W2xH2	Ağırlık (kg)	
TECO	I	600	600	600	350x300	259x228	43
	II	600	600	600	400x350	298x262	48
	III	700	700	700	475x400	331x289	55
	IV	800	800	800	500x475	395x341	72
	V	900	900	900	750x500	471x400	88
	VI	1200	900	1000	650x600	420x470	140
	VII	1200	1050	1000	700x600	550x480	160

Fan

Forward curved fans are used in TECO aspirators. They are placed specifically to meet required air flow and pressure values. Fans are durable against corrosion and other external effects due to its galvanized structure. As fan powertrain, belt and pulley is used.



Motor

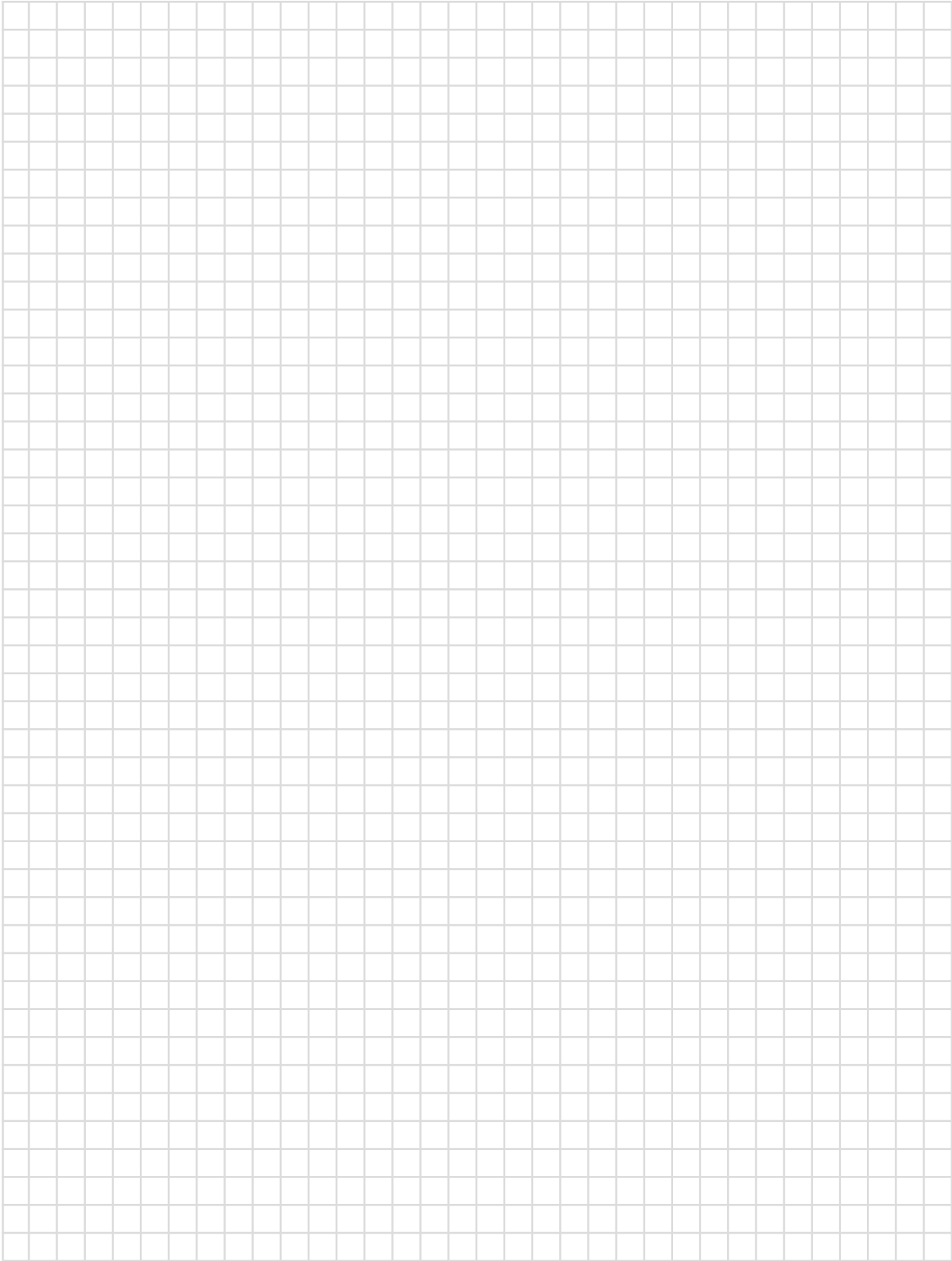
IP54 class, IE2 efficiency class motors are used in TECO with B3 flange.

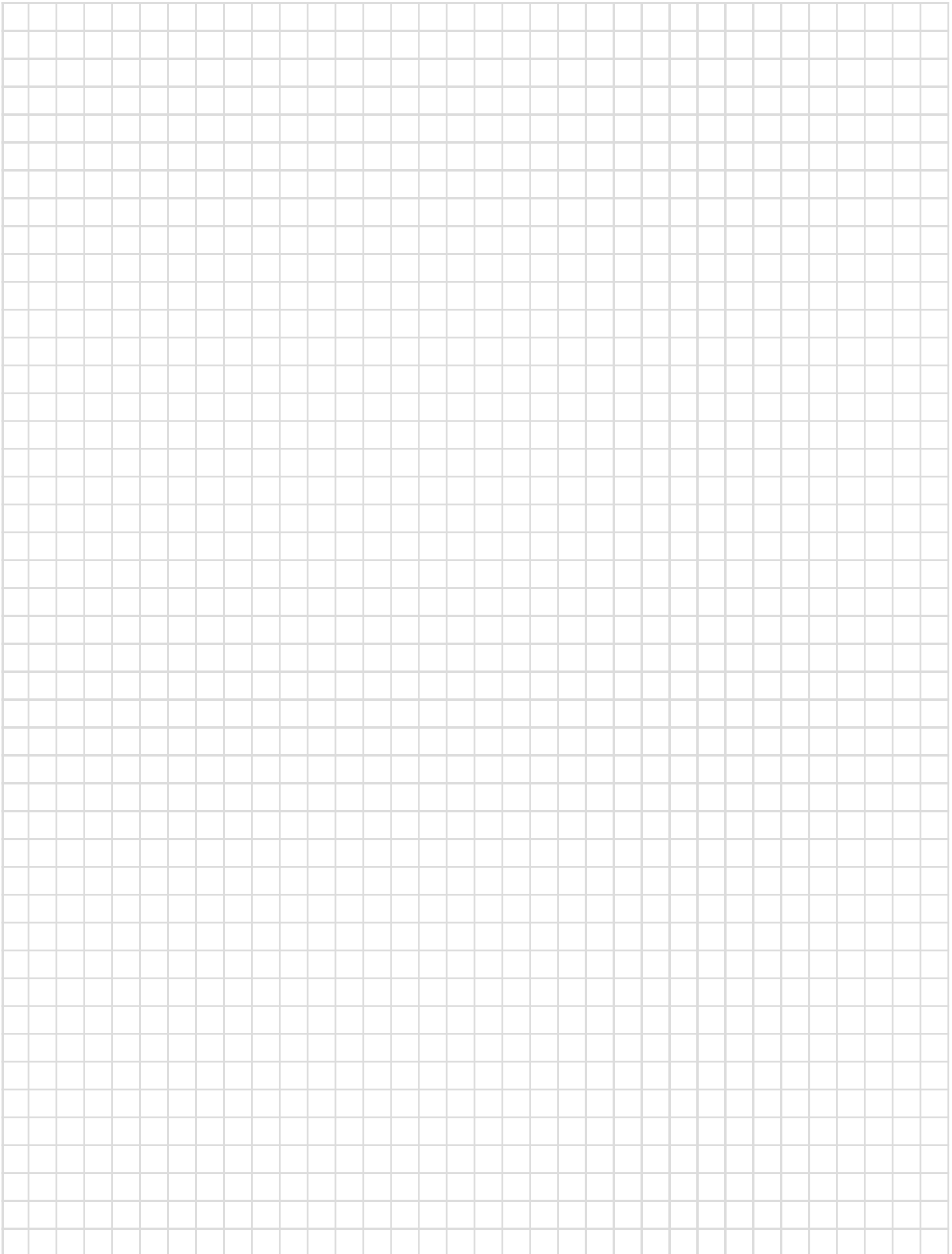
Belt mounting and specially designed tension levelers are also standart in TECO.

Vibration isolators are placed under motor fan base.



Notes





SIMPLY THE BEST
SOLUTIONS

HVAC
SYSTEMS

APRIL 2014
BY HVAC SYSTEMS INC.
RESERVES THE RIGHT TO MAKE ALTERATIONS
DUE TO TECHNICAL DEVELOPMENTS WITHOUT PRIOR NOTICE.



TEKNOGEN®

HEADQUARTERS

BY ISITMA SOGUTMA KLIMA HAVALANDIRMA SAN TIC. A.S.
ATATURK MAH. DUDULLU CAD. SEREF SOKAK. NO 46 34758 ATASEHIR - ISTANBUL / TURKEY
TEL + 90 216 324 51 59 • FAX + 90 216 324 99 32
info@TEKNOGENHVAC.COM • WWW.TEKNOGENHVAC.COM

FACTORY

KAZIM KARABEKIR MAHALLESİ BEKİR SAYDAM CAD.
NO:104 İS KAPI NO: 25 PANCAR, AYRANCILAR, TORBALI - İZMİR / TURKEY
TEL + 90 232 864 11 11 • FAX + 90 232 864 10 11